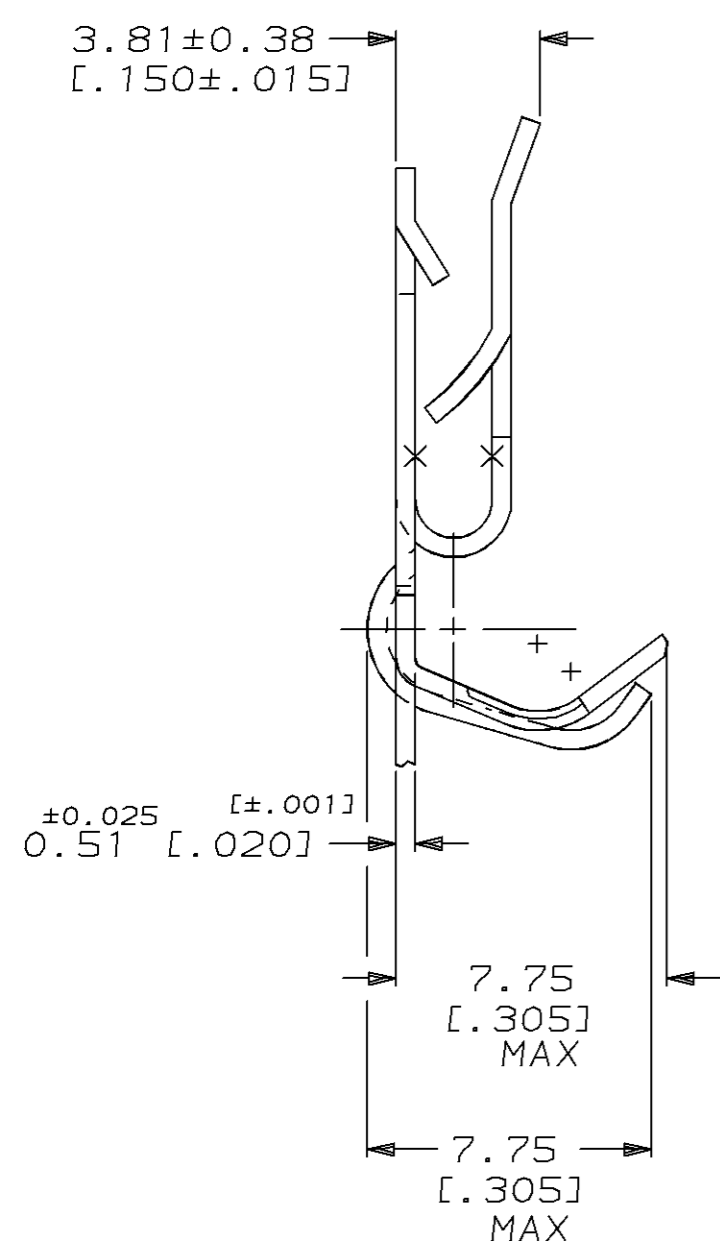
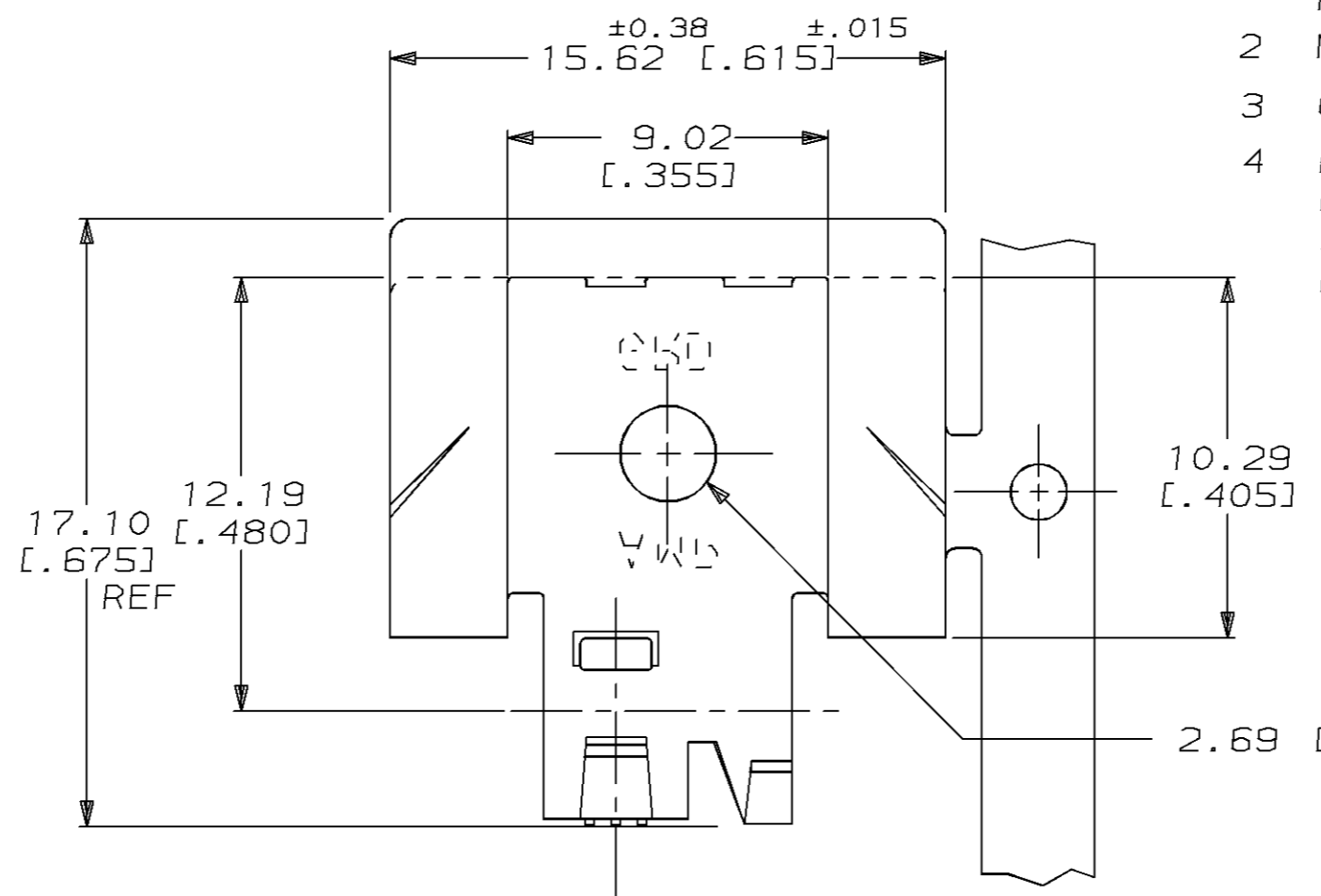


THIS DRAWING IS UNPUBLISHED. RELEASED FOR PUBLICATION, 19 .
 © COPYRIGHT 19 BY AMP INCORPORATED. ALL INTERNATIONAL RIGHTS RESERVED.

LOC	DIST	P	F	REVISIONS				
AF	50			ZONE	LTR	DESCRIPTION	DATE	APPD
					C	OBSOLETE -2 PER 0710-0276-96	24/JUN/96	PF/DS

- 1 PRE-TIN PL .000080 MIN THK PER MIL-T-10727A.
- 2 MATES WITH .019-.071 THK PANEL.
- 3 CONTINUOUS STRIP ON REELS.
- 4 P/N 63575-1 ONLY IS RELEASED FOR PRODUCTION, P/N 63575-2 IS STILL A PROPOSED DESIGN UNTIL FURTHER NOTICE.



**PROPOSED DESIGN
 NOT RELEASED FOR
 PRODUCTION
 P/N 63575-2 ONLY**

OBSOLETE	△	#4 HARD PHOS BRONZE	2.54-3.56 DIA	0.8-2.0mm ²	63575-2
		1/2 HARD SST	[.100-.140]	[18-14] AWG	63575-1
FINISH		MATERIAL	INSULATION RANGE	WIRE RANGE	PART NO

DO NOT SCALE PRINT, UNLESS SPECIFIED. DIMENSIONS IN mm [INCHES]. TOLERANCES ON:
 2 PLC DEC ± 0.25 [.010]
 3 PLC DEC ± -
 ANGLES ± -

MATERIAL: SEE TABLE

FINISH: SEE TABLE

DR 2/4/91 P FORTNEY
 CHK 2/5/91 MS FEHER
 APPD 2/8/91 K RANDOLPH
 APPD 2/13/91 R WEAVILL
 PRODUCT SPEC -
 APPLICATION SPEC -
 WEIGHT -

AMP INCORPORATED Harrisburg, Pa. 17105		
NAME CLIP, GROUNDING		
SIZE B	CAGE CODE 00779	DRAWING NO 63575
SCALE 5:1	SHEET 1 OF 1	

